

R2-W8D2/D4

8" R-Series "R2" Subwoofer



PRODUCT OVERVIEW

The next generation of sound performance is here with the new R-Series subwoofers featuring a larger motor structure for more accurate and authoritative bass.

PRODUCT FEATURES

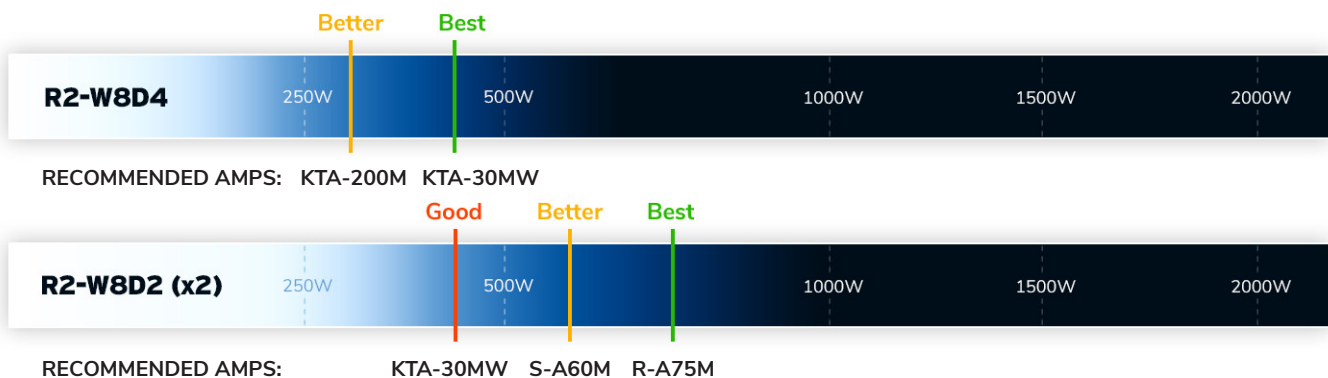
New Motor Structure – The new R-Series subwoofers now feature larger, double-stacked magnets that contribute more motor force for deeper bass and tighter bass control compared to the previous generation.

Oversized Dust Cap – The new hybrid poly ceramic composite dust cap ensures rigidity while also providing incredible internal damping (vibration absorption) to smooth out the bass response and reproduce tight bass.

Increased Accuracy – Alpine's High Amplitude Multi-Roll (HAMR) Surround Technology allows the cone to efficiently move air while staying cool resulting in incredible accuracy from the subwoofer.

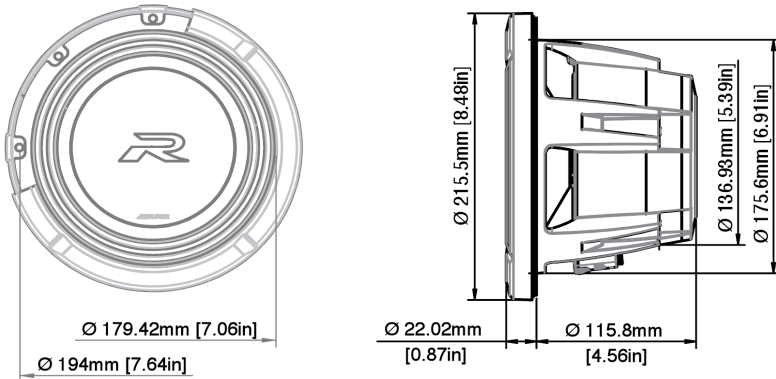


POWER RANGE: 150-350W



R2-W8D2/D4

8" R-Series "R2" Subwoofer



GENERAL SPECS

- Size: 8"
- Dimensions: 7.64" x 7.64" x 4.56"
- Frequency Response: 30Hz - 200Hz
- Power Range: 150W - 350W RMS
- Power Handling: 350W RMS / 1000W Peak
- Magnet Weight: 56 oz
- Voice Coil Diameter: 40 mm (2.6")

R2-W12D2 - THIELE-SMALL PARAMETERS

- Sensitivity (1W/1m): 83.6 dB
- DC Resistance (R_e): $1.8\Omega + 1.8\Omega$
- Free Air Resonance (F_s): 42 Hz
- Equivalent Stiffness: 10.1 L
- Mechanical Q (Q_{ms}): 7.69
- Electrical Q (Q_{es}): 0.52
- Total Q (Q_{ts}): 0.48
- Cone Area (S_d): 201 cm²
- Linear Excursion (X_{max}): 12 mm
- Mechanical Travel (X_{mech}): 52 mm

BOX SPECS

SEALED BOX RANGE:

Net Internal Volume: 0.15 - 0.45 ft³

RECOMMENDED SEALED BOX:

External Dimensions: 13" x 13" x 5.5"

Gross Internal Volume: 0.30 ft³

Net Internal Volume: 0.25 ft³

D2 - F3, Qtc: 59Hz, 0.73

D4 - F3, Qtc: 59Hz, 0.72

VENTED BOX RANGE:

Net Internal Volume: 0.25 - 0.7 ft³

Fb, Tuning: 36-40Hz

RECOMMENDED VENTED BOX:

External Dimensions: 11" x 9.5" x 21"

Gross Internal Volume: 0.86 ft³

Vent Area (W x H): 8 in² (8" x 1")

Vent Length: 17.5"

Vent Displacement: 0.13 ft³

Net Internal Volume (Vb): 0.68 ft³

D2 - F3, Ripple, Fb: 33Hz, 2.5 dB, 39Hz

D4 - F3, Ripple, Fb: 32Hz, 3.2 dB, 39Hz

R2-W12D4 - THIELE-SMALL PARAMETERS

- Sensitivity (1W/1m): 83.7 dB
- DC Resistance (R_e): $3.6\Omega + 3.6\Omega$
- Free Air Resonance (F_s): 43 Hz
- Equivalent Stiffness: 10.5 L
- Mechanical Q (Q_{ms}): 7.08
- Electrical Q (Q_{es}): 0.58
- Total Q (Q_{ts}): 0.53
- Cone Area (S_d): 201 cm²
- Linear Excursion (X_{max}): 12 mm
- Mechanical Travel (X_{mech}): 52 mm